

TECTUS®

TE 240 3D

For flush residential doors

Hinge up to 60 kg (132 lbs.)

Product Features

- Completely concealed hinge system
- For wood, steel or aluminum door panels and frames
- For flush residential doors
- Finger protection due to a small gap between door and frame
- Easily adjustable in three dimensions
(side +/- 3.0 mm (0.118"), height +/- 3.0 mm (0.118"), compression +/- 1.5 mm (0.059"))
- Maintenance-free slide bearings

The specification text can be downloaded from the PRODUCTSELECTOR at www.simonswerk-usa.com.

Technical Data

Load capacity	60 kg (132 lbs.)
Length	155 mm (6.102")
Width (door)	18 mm (0.709")
Width (frame)	21 mm (0.827")
Router bit / collar Ø	1/2" / 1"

Finishes

satin chrome look (F1) (124), satin nickel look (F2) (125), stainless steel look (SSL) (126), rustic umber (156), bronze metallic (168), traffic white (RAL 9016) (070), matte deep black (RAL9005) (107), polished brass (030), polished nickel (038), satin nickel (144), satin chrome (146), bronze finish light (175), bronze finish (174), bronze finish dark (176), satin brass (047), other finishes available upon request

Combinations

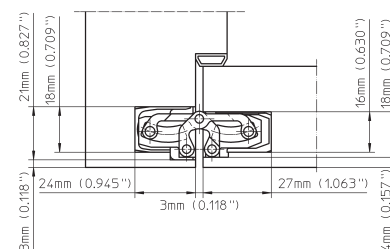
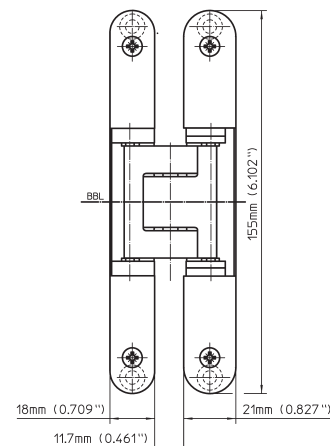
Receiver/Reinforcement	Commercial frame	Frame mounted
	Casing frame	TE 240 3D FZ
	Steel frame	TE 240 3D SZ
	Steel door	TE 240 3D ST
	Aluminum frame	Specified by manufacturer

Installation Tools

Jig		Universal milling frame
Frame	routing template	No. 5 251074 6
Door	routing template	No. 5 251075 6

Note

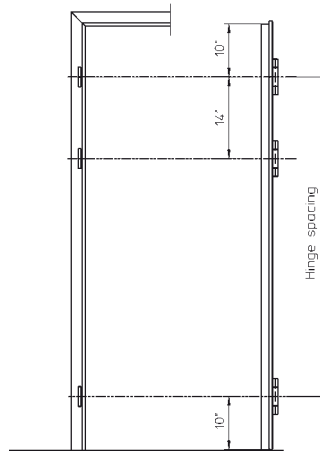
The load capacity mentioned above refers to the use of 2 hinges per door leaf with a height/width ratio of 2:1 (see page 46 for further detail).
For a minimum door panel thickness of 26 mm (1.024").



TECTUS Series

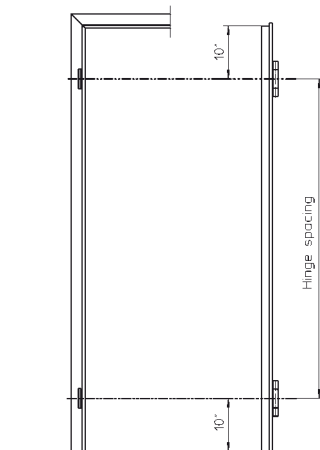
To increase the load capacity of the hinges, a third hinge needs to be positioned 14" below the upper hinge (center to center). The use of a third hinge in order to increase the load capacity has to be determined on a case by case basis. Our hinge data refers to a height/width ratio of the door of 2:1 or more. Please contact us for further information and see also the door manufacturers instructions. Proper preparation and alignment as well as tension-free adjustment are crucial for a hassle-free operation!

Application with increased load capacity

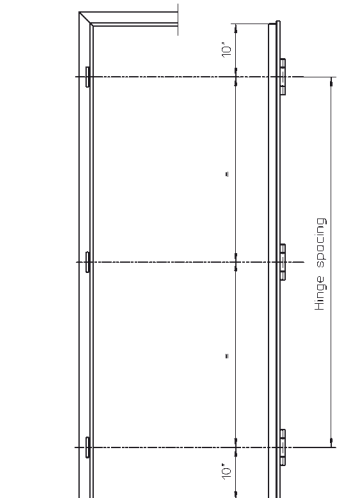


Examples for applications with different door heights

< 8 ft



≥ 8 ft



The hinge spacing does not increase the load capacity!
 Note: We recommend for all exterior doors the use of three hinges.

TECTUS® - Finishes

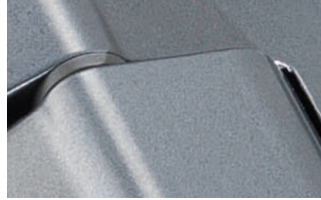
Powder Coated Finishes*



070 traffic white (RAL 9016)



107 matte deep black (RAL 9005)



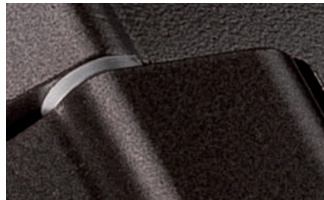
124 satin chrome look (F1)



125 satin nickel look (F2)



156 rustic umber



168 bronze metallic

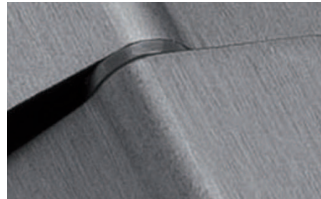
Galvanic Plated Finishes*



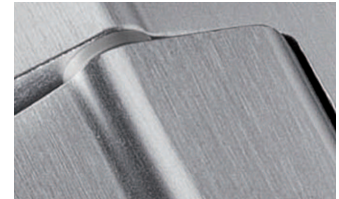
030 polished brass



038 polished nickel



144 satin nickel



146 satin chrome



174 bronze finish



175 light bronze finish



176 dark bronze finish



047 satin brass

* The colors of the finishes shown may differ from the original.

Galvanic/Liquid Coated Finishes*



126 stainless steel look (SSL)